

## Features

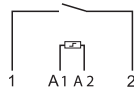
1 or 2 Pole electromechanical step relay with electrically separate coil and contact circuits

- Choice of 6 switching sequences
- Screw terminal connections
- AC coil
- Panel mount
- Cadmium free contact material

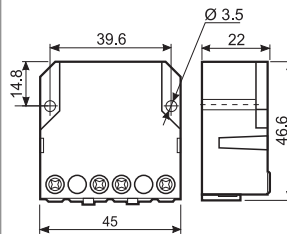
26.01



- Single phase switch 1 NO (SPST-NO)



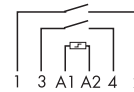
26.01



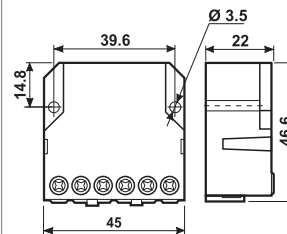
26.02, 04, 06, 08



- Double phase switch 2 NO (DPST-NO)



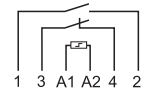
26.02  
26.04  
26.06  
26.08



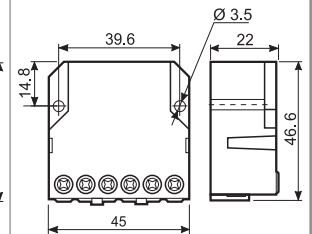
26.03



- 1 NO + 1 NC (SPST-NO + SPST-NC)



26.03



### Contact specification

Number of contacts		1 NO (SPST-NO)	2 NO (DPST-NO)	1NO+1NC (SPST-NO+SPST-NC)
Rated current/Maximum peak current	A	10/20	10/20	10/20
Rated voltage/Maximum switching voltage V AC		250/400	250/400	250/400
Rated load AC1	VA	2,500	2,500	2,500
Rated load AC15 (230 V AC)	VA	500	500	500
Nominal lamp rating: incandescent (230 V)	W	800	800	800
compensated fluorescent (230 V)	W	360	360	360
uncompensated fluorescent (230 V)	W	500	500	500
halogen (230 V)	W	800	800	800
Minimum switching load	mW (V/mA)	1,000 (10/10)	1,000 (10/10)	1,000 (10/10)
Standard contact material		AgNi	AgNi	AgNi

### Coil specification

Nominal voltage (U <sub>N</sub> )	V AC (50 Hz)	12 - 24 - 48 - 110 - 230	12 - 24 - 48 - 110 - 230	12 - 24 - 48 - 110 - 230
	V DC	—	—	—
Rated power AC/DC	VA (50 Hz)/W	4.5/—	4.5/—	4.5/—
Operating range	AC (50 Hz)	(0.8...1.1)U <sub>N</sub>	(0.8...1.1)U <sub>N</sub>	(0.8...1.1)U <sub>N</sub>
	DC	—	—	—

### Technical data

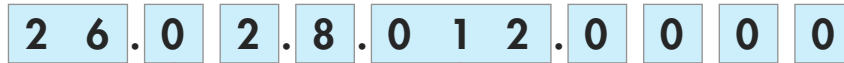
Mechanical life AC/DC	cycles	300 · 10 <sup>3</sup>	300 · 10 <sup>3</sup>	300 · 10 <sup>3</sup>
Electrical life at rated load in AC1	cycles	100 · 10 <sup>3</sup>	100 · 10 <sup>3</sup>	100 · 10 <sup>3</sup>
Minimum/Maximum impulse duration		0.1s/1h (according to EN 60669)	0.1s/1h (according to EN 60669)	0.1s/1h (according to EN 60669)
Insulation between coil and contacts (1.2/50 μs)	kV	4	4	4
Ambient temperature range	°C	-40...+40	-40...+40	-40...+40
Protection category		IP 20	IP 20	IP 20

Approvals (according to type)



## Ordering information

Example: 26 series screw terminal, panel mount relay, double phase switch 2 NO (DPST-NO) 10 A contacts, coil rated 12 V AC.



- Series** —————
  - Type** —————
  - 0 = Screw terminal
  - No. of poles** —————
  - 1 = Single phase switch 1 NO (SPST-NO)
  - 2 = Double phase switch 2 NO (DPST-NO)
  - 3 = Double phase switch 1 NO + 1 NC (SPST-NO + SPST-NC)
  - 4 = 4 sequences double phase switch 2 NO (DPST-NO)
  - 6 = 3 sequences double phase switch 2 NO (DPST-NO)
  - 8 = 4 sequences double phase switch 2 NO (DPST-NO)
- Coil voltage**
  - See coil specifications
  - Coil version**
  - 8 = AC (50 Hz)

## Technical data

Insulation				
Dielectric strength				
between supply and contacts	V AC	3,500		
between open contacts	V AC	2,000		
between adjacent contacts	V AC	2,000		
Other data		26.01, 26.03, 26.08	26.02, 26.04, 26.06	
Power lost to the environment				
with rated current and coil de-energised	W	0.9	1.8	
Screw torque	Nm	0.8	0.8	
Max. wire size		solid cable	stranded cable	
	mm <sup>2</sup>	1x4 / 2x2.5	1x2.5 / 2x2.5	
	AWG	1x12 / 2x14	1x14 / 2x14	

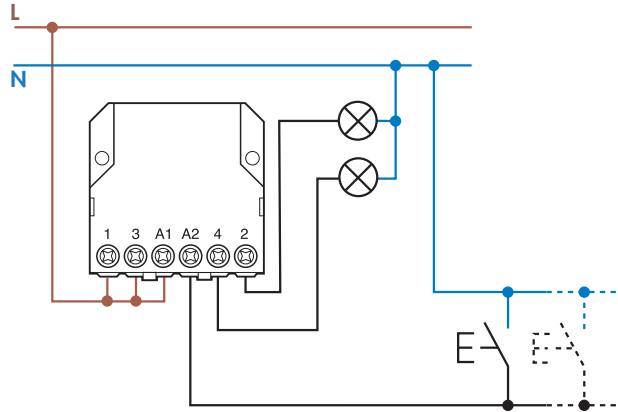
## Coil specifications

### AC version data

Nominal voltage $U_N$ V	Coil code	Operating range		Resistance R $\Omega$	Consumption I at $U_N$ (50 Hz) mA
		$U_{min}$ V	$U_{max}$ V		
12	8.012	9.6	13.2	17	370
24	8.024	19.2	26.4	70	180
48	8.048	38.4	52.8	290	90
110	8.110	88	121	1,500	40
230	8.230	184	253	6,250	20

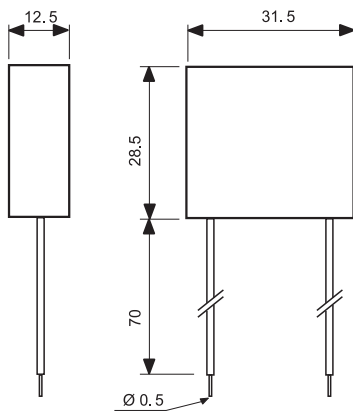
Type	Number of steps	Sequence			
		1	2	3	4
26.01	2				
26.02	2				
26.03	2				
26.04	4				
26.06	3				
26.08	4				

## Wiring diagrams



## Accessories

### for 12 and 24 V DC control applications

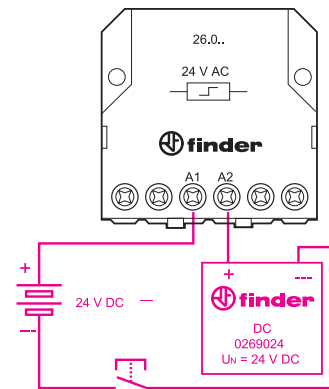


**Type: 026.9.012**

Nominal voltage: 12 V DC  
 Max temperature: + 40 °C  
 Operating range: (0.9...1.1)U<sub>N</sub>

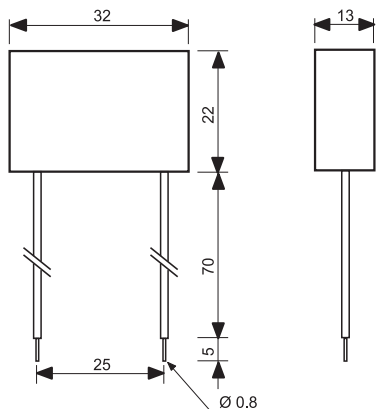
**Type: 026.9.024**

Nominal voltage: 24 V DC  
 Max temperature: + 40 °C  
 Operating range: (0.9...1.1)U<sub>N</sub>



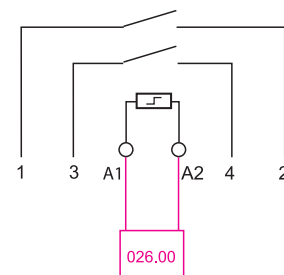
Example of wiring for 24 V DC control application.

### Module for use with illuminated push buttons (230 V AC applications)



**Type 026.00**

Sealed construction, 7.5 cm insulated flexible wire termination.



**Example of wiring diagram of type 026.00**

This module is necessary when using between 1 and a maximum of 15 illuminated push buttons in the coil circuit (Each 1 mA max, 230 V AC). It must be connected in parallel to the coil of the relay (see diagram).